

HOMEPLOW[®]
BY Meyer

P-L-O-W

**PLOW IT
YOURSELF**

*New
Models
Available*

HOMEPLOW[®]
BY Meyer

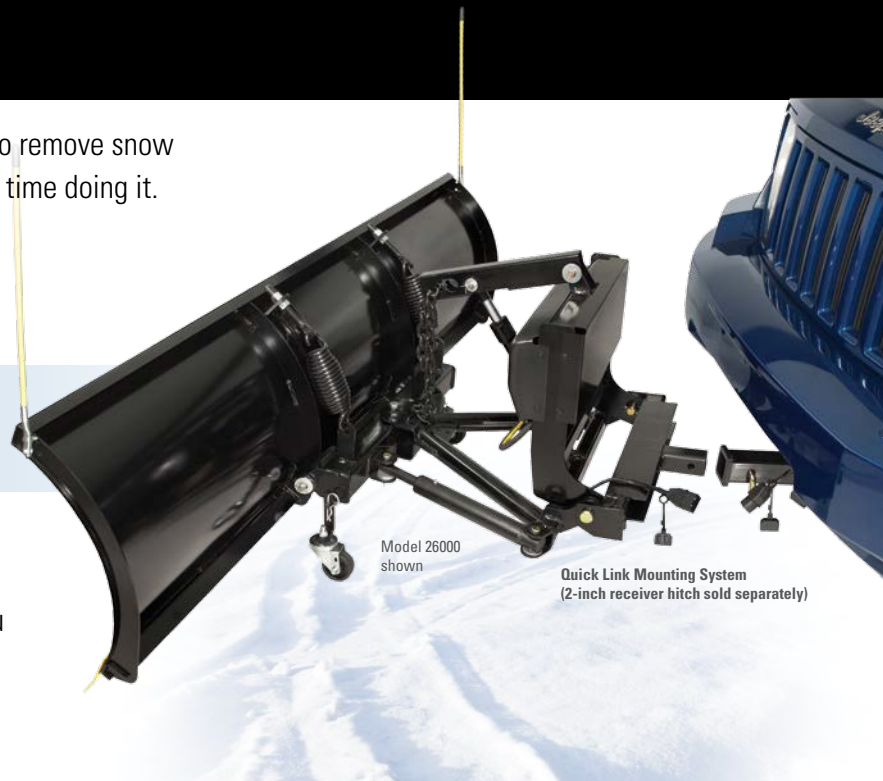
Easy-to-use snowplow for SUVs and light pickups

WE MADE IT EASY

The HomePlow is perfect for homeowners that need to remove snow from a long driveway and don't want to spend a lot of time doing it. It quickly attaches to your SUV or light pickup. With a wide variety of models, we have a HomePlow to fit every application and budget.

Attach the plow to your SUV or light pickup quickly

All HomePlows feature Quick-Link™, an easy-to-use mounting system that slides into a Class 3, 2-inch front receiver hitch, which is sold separately. This allows you to attach/detach the plow in under a minute without tools. The front receiver hitch must be installed on your vehicle prior to using the HomePlow. Visit www.thehomeplow.com/WhatItFits.aspx.



Stay warm and dry while you plow



Auto-Angling™ is the difference

Many HomePlow models angle without any power-supplied help. Auto-Angling™ allows the blade to angle left or right when it encounters the weight of the snow on one side.



Three levels available

Good: HomePlow Basic™
– Affordable convenience

Better: Pre-Assembled HomePlow (on wheels)
– Easy to mount, use and store

Best: The Full-Powered HomePlow™
– The ultimate in convenience and ruggedness



HOMEFLOW Basic™ – Affordable convenience

GOOD

The HomePlow Basic is an economical plow for the person that wants to move snow quicker than other snow removal methods.



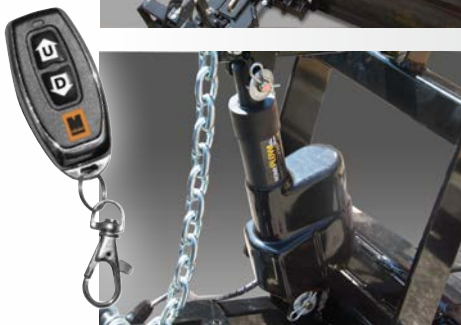
HomePlow Basic models feature:

- Steel blade is 18" high x 6'8" long
- Packaged in an easy-to-transport carton
- Assembles in under one hour using household tools
- Auto-Angling for blade right/left movement when it encounters the weight of the snow



Easy-to-transport carton fits in an SUV or pick-up

All HomePlow models feature the Quick-Link™ mounting system for easy on/off. Dura Slick™ paint allows for better snow rolling action, and plow markers help to locate the edge of the blade when plowing.



Two Models Available

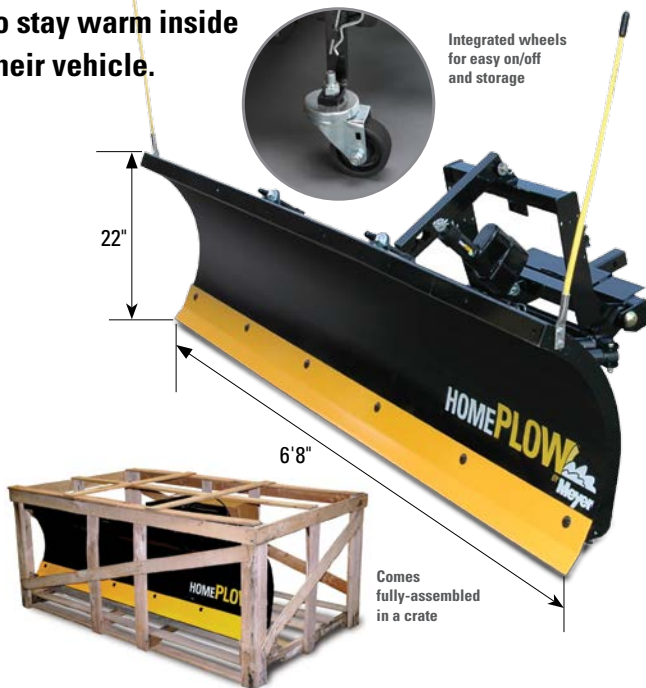
- Model/Part #23150 - Manual lift to raise/lower the blade*
- Model/Part #23250 - Electric lift with wireless controller for up/down blade motion*

*Visit thehomeplow.com for pricing.

Pre-Assembled HOMEFLOW™ (on wheels) – Easy to mount, use and store

BETTER

A step up from the HomePLOW Basic is the fully-assembled HomePLOW featuring electric or hydraulic up/down motion. This model provides additional levels of convenience and plowing performance while allowing the driver to stay warm inside their vehicle.



The pre-assembled HomePLOW on wheels shares the same features as the HomePLOW Basic but includes the following upgrades:

- Steel blade is 22" high x 6'8" long
- Comes pre-assembled in a crate
- Integrated wheels for easy on/off and storage
- Auto-Angling for blade right/left movement when it encounters the weight of the snow

Like the HomePLOW Basic and full-powered HomePLOW models, this model features the Quick-Link™ mounting system for easy on/off. Dura Slick™ paint allows for better snow rolling action, and plow markers help to locate the edge of the blade when plowing.



Two Models Available

- Model/Part #24000 - Electric lift with wireless controller for up/down blade motion*
- Model/Part #25000 - Hydraulic lift with wireless or wired controller for up/down blade motion*

*Visit thehomeplow.com for pricing.

The Full-Powered HOMEFLOW™ – The ultimate in convenience and ruggedness

BEST

The ultimate in plowing performance and convenience is the full-powered HomeFlow. Using a hydraulic lift and wired controller, this HomeFlow model operates just like a conventional commercial plow for all up/down, left/right blade movements, plus two blade sizes are offered.



Comes fully-assembled in a crate



Integrated wheels for easy on/off and storage



This HomeFlow includes features of other HomeFlow models with the added convenience of full-hydraulic control of the blade.

- Steel blade sizes: 22" high x 6'8" long or 22" high x 7'6" long
- Comes pre-assembled in a crate
- Integrated wheels for easy on/off and storage
- Full hydraulic control for up/down and left/right blade movement from the comfort of your vehicle
- Longer model is perfect for larger areas and can be used on light-duty pickups

Like the HomeFlow Basic and pre-assembled HomeFlow models, this model features the Quick-Link™ mounting system for easy on/off. Dura Slick™ paint allows for better snow rolling action, and plow markers help to locate the edge of the blade when plowing.

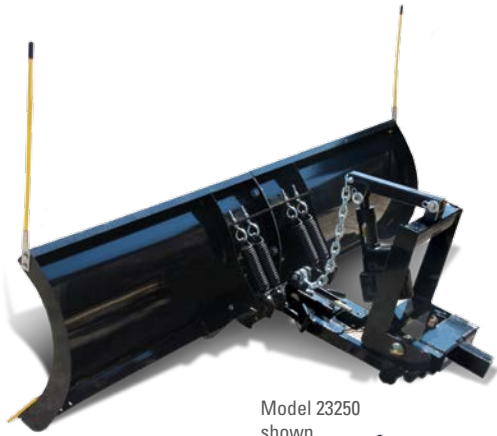
Two Models Available

- Model/Part #26000 - Hydraulic lift with wired controller that operates like a commercial plow for up/down and left/right blade motion. Blade length - 6'8"*
- Model/Part #26500 - Blade length - 7'6"*

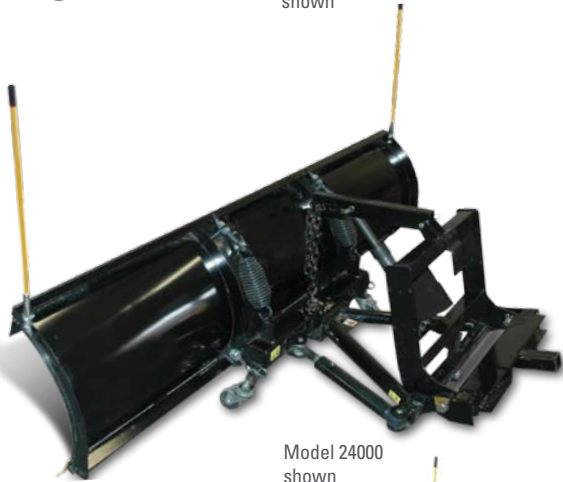


*Visit thehomeflow.com for pricing.

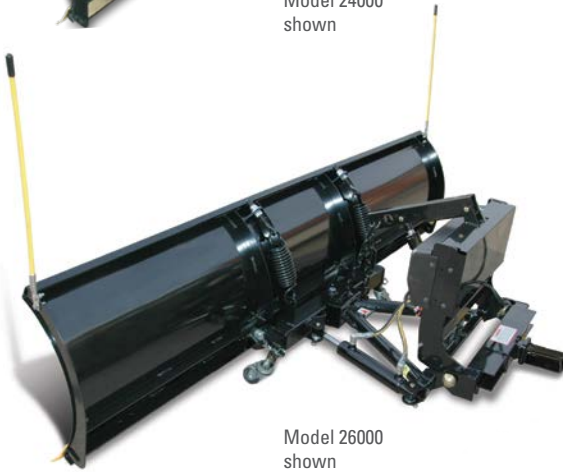
HomePlow Features and Specifications



Model 23250 shown



Model 24000 shown



Model 26000 shown

Good - HomePlow Basic™

Features	Model/Part #23150	Model/Part #23250
Assembly required	Yes	Yes
Up/Down plow motion	Manual	Electric Wireless
Right/Left plow motion	Auto-Angle	Auto-Angle
On-board wheels	No	No
Blade length	6'8"	6'8"
Blade height	18"	18"
Plow weight	186 lbs.	233 lbs.

Better - Pre-Assembled HomePlow (on wheels)

Features	Model/Part #24000	Model/Part #25000
Assembly required	No	No
Up/Down plow motion	Electric Wireless	Hydraulic Wireless or Hardwired
Right/Left plow motion	Auto-Angle	Auto-Angle
On-board wheels	Yes	Yes
Blade length	6'8"	6'8"
Blade height	22"	22"
Plow weight	241 lbs.	250 lbs.

Best - The Full-Powered HomePlow™

Features	Model/Part #26000	Model/Part #26500
Assembly required	No	No
Up/Down plow motion	Hardwired	Hardwired
Right/Left plow motion	Full-Power Hydraulic	Full-Power Hydraulic
On-board wheels	Yes	Yes
Blade length	6'8"	7'6"
Blade height	22"	22"
Plow weight	250 lbs.	279 lbs.

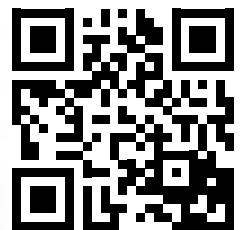
For a full line of accessories visit:
thehomeplow.com/accessories.aspx



www.thehomeplow.com

18513 Euclid Ave. / Cleveland, Ohio 44112
 216-486-1313 / fax: 216-486-1321

See if there's a HomePlow
 for your vehicle.



HomePlow is not designed
 for commercial/vocational
 applications. Use on approved
 1/2 ton pick-ups or SUVs only.

Meyer Snow Plows are protected by one or more of the following patents:
 8006413, D0507999 S, D0517963S, 8453368, 8695238, 7,918,042 B2, CA
 2,677,509 C, D0517963 S, EP1,989,402 B1, ES2,346,587, 6138388, 7,591,087
 B2, 7,661,211 B2, 7,793,440 B1, 8739437, 8793906, CA 2,604,085C,
 6354024, 6276075, 6,318,975 B1, 6564479, 6256909, 6594923, 6618964,
 7114270, 7117617, 7290369, D399326S, CA 2,300,012 C, CA 2,314,772 C, CA
 2,331,653 C, CA 2,370,925 C, CA 2,455,637 C, CA 2,653,801 C, CA 2,654,856,
 EP 1,010,809, 7353628, 6153975, 6273729, CA 2,260,509 C, CA 2,282,045
 C, CA 2,293,658 C, CA 2,298,243 C, 6265829, 6015219, 6005300, 6163965.