

home **PLOW**™

Move Snow Like a Pro.

 by **meyer**



Easy-to-use snowplow for homeowners



A Clear Drive and Peace of Mind

The HomePlow offers a fast, safe and effective way for homeowners to move snow on their terms. The HomePlow conveniently attaches to a SUV, light pickup, ATV or UTV and effortlessly pushes snow while the driver stays warm and comfortable inside the vehicle.

Why Choose HomePlow

Affordable. Efficient. Convenient. With the HomePlow, relying on contractors is a thing of the past. Snow can quickly be moved as required, eliminating expensive seasonal contracts.

Safety First. Shoveling and snow blowing require exposure to cold temperatures and can be labor intensive. The HomePlow makes it easy to plow from the comfort of a warm driver's seat.

Space Saving Storage. Unlike other plows, the HomePlow includes castor wheels* and stores neatly out of the way when detached from the vehicle.

Easy Attachment. The HomePlow features Quick Link™, an easy-to-use mounting system that enables plow attachment and detachment in under a minute, without the use of equipment or tools.



The HomePlow is not designed for commercial/vocational applications. Use on approved 1/2 ton pick-up trucks, SUVs, ATVs and UTVs only. Scan the code or visit thehomeplow.com/whatitfits to learn more.

*Select models only



Three Levels of Snow Plowing Power

HomePlow Basic™

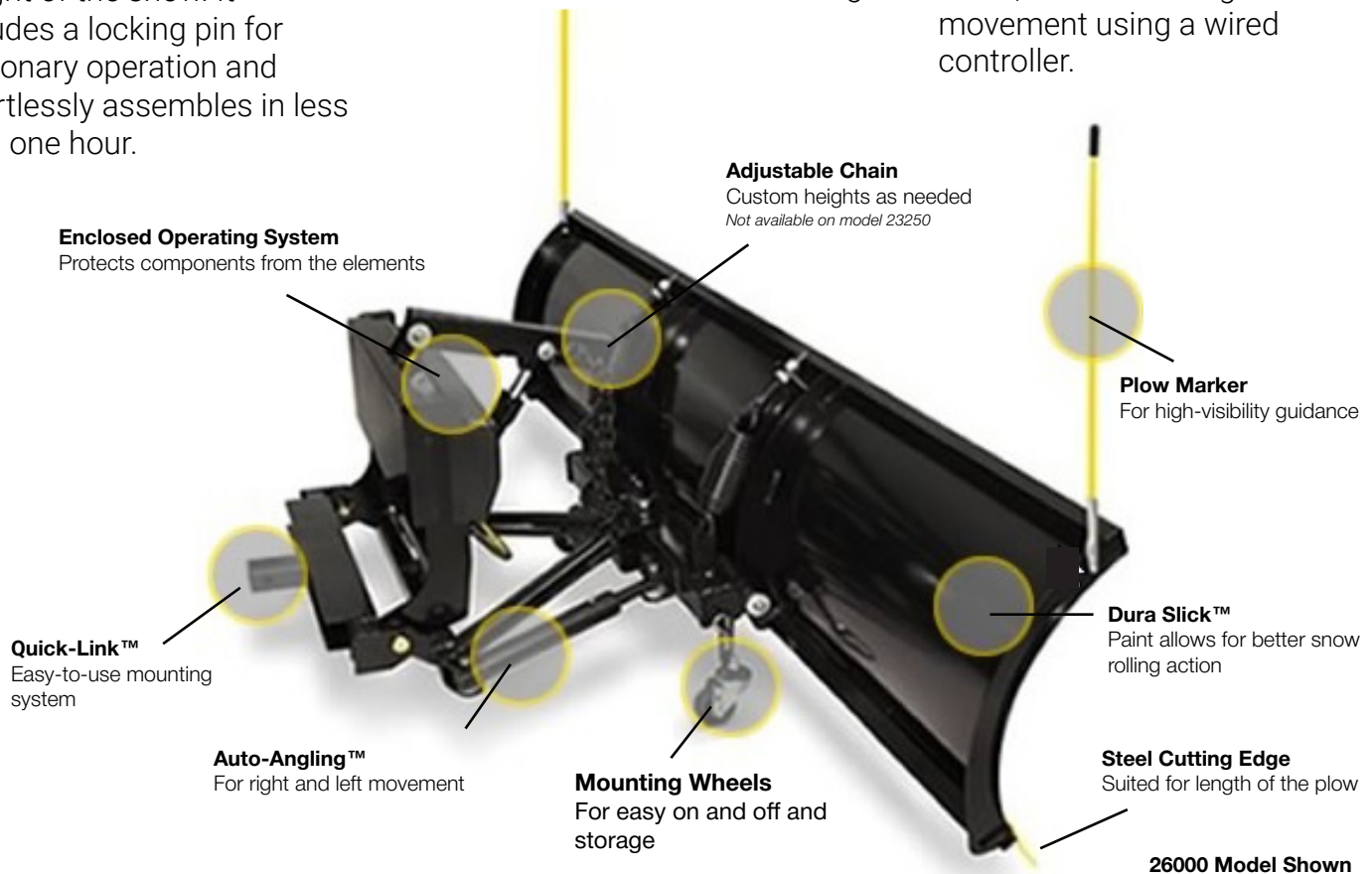
The most affordable HomePlow model features Auto-Angling™ for right and left movement upon force from the weight of the snow. It includes a locking pin for stationary operation and effortlessly assembles in less than one hour.

Electric Lift HomePlow

This model includes all of the features of the HomePlow Basic, with a 22" moldboard and integrated wheels for easier installation and storage.

The Full-Powered HomePlow™

This model provides the ultimate in plowing performance. It offers full-hydraulic control for up and down, and left and right movement using a wired controller.



26000 Model Shown

Model	Basic 23250	Electric Lift 24000	Full-Powered	
			26000	26500
Dimensions (Length x Height)	6'8" x 18"	6'8" x 22"	6'8" x 22"	7'6" x 22"
Operation	Electric Lift		Full-Hydraulic Lift	
Angling	Auto with Locking Pin		Hydraulic	
Controller	Wireless		Wired	
Wheels	No	Yes	Yes	Yes
Assembly	Required	Pre-Assembled	Pre-Assembled	Pre-Assembled

Looking for more information on available models?
Scan the code or visit thehomeplow.com/modelsavailable



Support & Information

Auto-Angling™ Technology

The Auto-Angling™ system senses the weight of the snow and automatically angles to push snow off to the side. Or, if you prefer, you can lock the plow in the direction you want.



Check out thehomeplow.com or scan the code for tools and helpful information.

- How it Works
- How it's Made
- Models Available
- What it Fits
- How to Install
- Accessories



Connect with Quick-Link™

The HomePlow has an easy-to-use component that slides into a Class 3, 2-inch front receiver hitch.

It has a small hydraulic power unit for power-up/gravity-down operation. Integrated mounting wheels let you attach or remove the plow in less than a minute, leaving no visible hardware behind.



Perfect Partners

Shovels & Pushers



Contractor Shovel



Pusher Shovel

Walk-Behind Spreaders



Hotshot 70



Hotshot 70HD

Storage & Hand-Held Spreaders



Meyer Products
18513 Euclid Ave.
Cleveland, Ohio 44112
Phone: (216)486.1313

© Aebi Schmidt Group 11/2024

aebi schmidt
group

thehomeplow.com
meyerproducts.com

Meyer Snow Plows are protected by one or more of the following patents: 8006413, D0507999 S, D05179635, 8453358, 8695238, 7,918,042 B2, CA 2,677,509 C, D0517963 S, EP 1,989,402 B1, ES 2,346,587, 6138388, 7,591,087 B2, 7,661,211 B2, 7,793,440 B1, 8739437, 8793906, CA 2,604,085C, 6354024, 6276075, 6,318,975 B1, 6564479, 6256909, 6594923, 6618964, 7114270, 7117617, 7290359, D399326 S, CA 2,300,012 C, CA 2,314,772 C, CA 2,331,653 C, CA 2,370,925 C, CA 2,455,637 C, CA 2,653,801 C, CA 2,654,856, EP 1,010,809, 7353628, 6153975, 6273729, CA 2,260,509 C, CA 2,282,045 C, CA 2,293,858 C, CA 2,298,243 C, 6265829, 6015219, 6005300, 6163985, 8,887,413, 9,278,645, 9,346,394, 9,205,788.

Meyer Spreaders are protected by one or more of the following patents: 6698997, CA 2,415,540 C, 7588195, 8448882, 8505837, 8523086, 8657208, 6186731, 6,793,154 B2, 6722590, 6715703, 6978952, 6932287, 8505838, 8827002, 5842649, CA 2,435,106 C, 6364598, 9,127,425, 9,127,425, 9,127,425, 9,371,621, 6,722,590, 6,715,703, 6,932,287, 6,978,252, 9,371,621, 9,085,862, 9,096,979



Check out our full line of accessories by scanning the code or visiting thehomeplow.com/accessories.